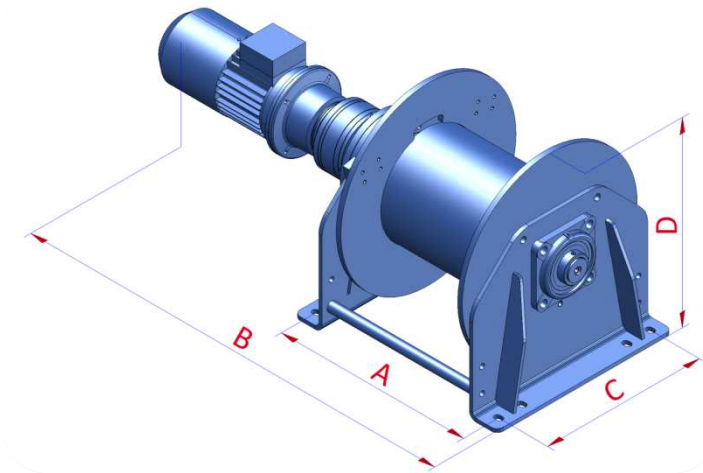


Technical specifications planetary winches

Introduction

Dromec is a high quality specialist in the market of customer-specific winches. Based on years of experience, they developed a standard range of their best winches

The winches are compact, stable, solid with the right proportions.



Dimensions (mm)

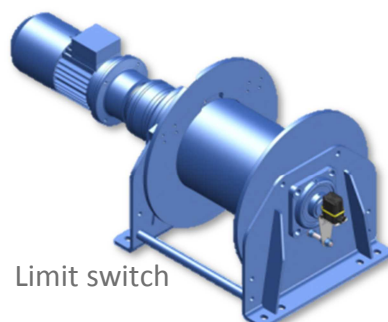
Type	EPH-2400	EPH-3000	EPH-5000	EPH-7500
Length (A)	576	526	780	780
Overall length (B)	1150	1146	1490	1730
Width (C)	350	400	550	650
Height (D)	450	500	675	780
Drum diam	220	270	356	406
Flange diam	430	480	650	750
Drum length	350	300	500	500

Specifications

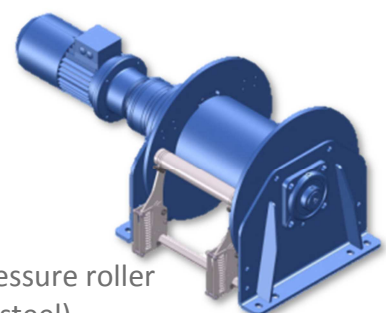
Type	EPH-2400	EPH-3000	EPH-5000	EPH-7500
Working load 1 st layer	2936 kg	3592 kg	6081 kg	9046 kg
Working load 3 rd layer	2400 kg	3000 kg	5000 kg	7500 kg
Hauling speed 1 st layer	7,6 m/min	8,7 m/min	5,0 m/min	5,2 m/min
Advised wire rope diameter	13 mm	14 mm	20 mm	22 mm
Min. breaking force wirerope	12000 kg	14000 kg	28500 kg	34500 kg
Max. rope storage	60 m	58 m	90 m	92 m
Motor power	4,0 kW S3-60%	6,0 kW S3-60%	6,0 kW S3-60%	9,0 kW S3-60%
Motor protection class	IP55	IP55	IP55	IP55
Brake	Fail safe brake	Fail safe brake	Fail safe brake	Fail safe brake
Supply voltage	3-Ph 400Vac 50Hz	3-Ph 400Vac 50Hz	3-Ph 400Vac 50Hz	3-Ph 400Vac 50Hz
Length of safety windings	2,2 m	2,7 m	3,5 m	4 m
Weight without rope/options	230 kg	250 kg	350 kg	580 kg
FEM classification drive	2m	2m	2m	2m
Ratio drum/wirerope D/d	17	19	17,5	18,5

Options

- Low voltage control (LVC)
- Frequency variator control three phase
- Motor IP56
- Marine coating
- Grooved drum
- Electronic load limiter



Limit switch



Pressure roller (stainless steel)