

TC1000-1500 .. /FS



Spur gear winch

Hand driven spur gear winch:

- robust and safe hoisting or pulling winch
- pulling capacity is approx. 2.5x hoisting capacity
- static safety factor of 4
- load pressure brake with double ratchet system
- maintenance-free bearing
- adjustable crank from 250 to 350 mm, ergonomic grip
- cable outlet to left, right, and top side
- paint thickness is 60 - 80 Micron in 1 layer (in compliance with DIN/ISO 12944, C1M)
- with free spool FS
- closed gearbox
- in compliance with EN 13157 and DIN 15020 and EX types ATEX 114 (94/9/EG)
- as option:
 - ATEX certified Ex II 3 GD T3, suitable for zone 2 and 22
 - multiple compartment cable drum

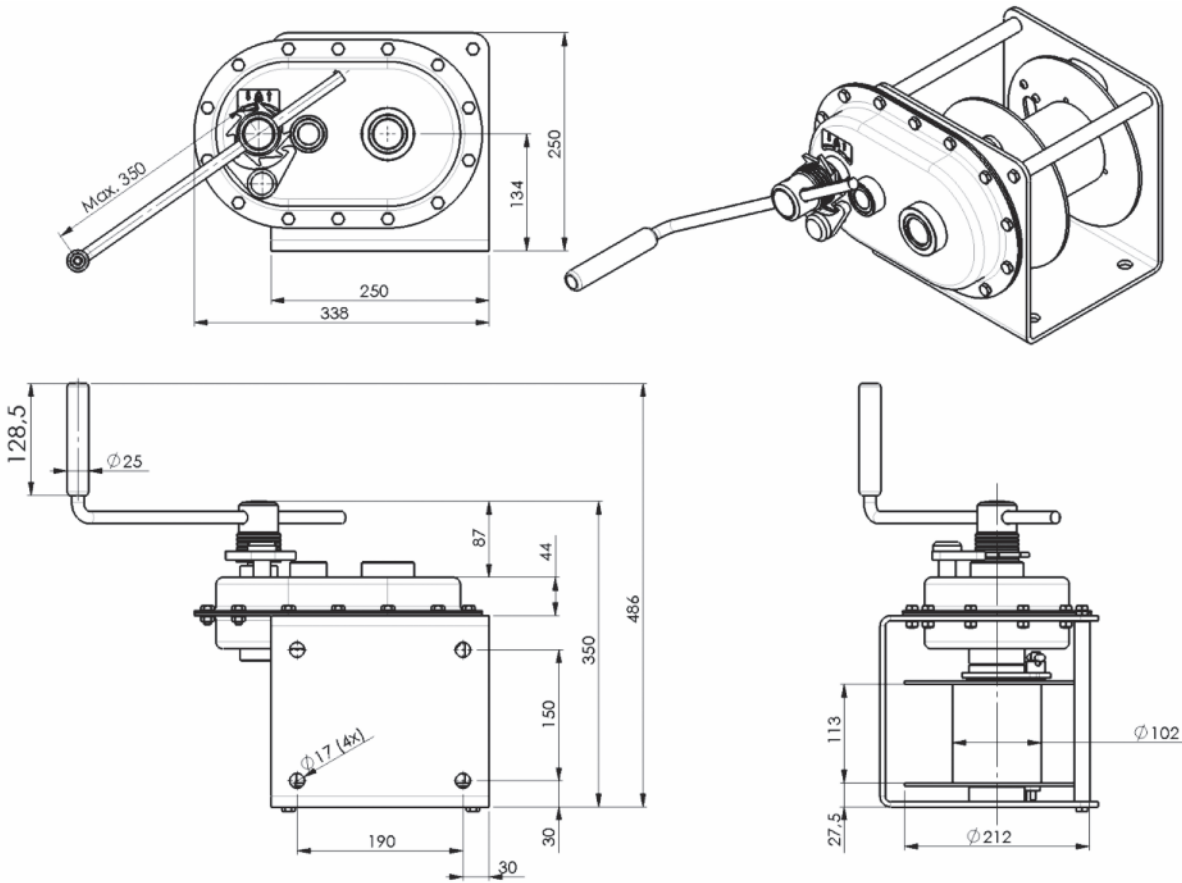


GEBUWIN
metal products



Industrieweg 6 7102 DZ Winterswijk The Netherlands
T +31 (0)543 532600 F +31 (0)543 532601
info@gebuwin.com www.gebuwin.com

Technical specifications TC1000-1500 .. /FS



Type	Mounting	Material	Remarks
TC1000 GR / FS	Console, 4x M12 class 8.8	Painted finish	RAL 7035 (grey)
TC1000 SS / FS	Console, 4x M12 class 8.8	Stainless steel	
TC1500 GR / FS	Console, 4x M12 class 8.8	Painted finish	RAL 7035 (grey)
TC1500 SS / FS	Console, 4x M12 class 8.8	Stainless steel	

Technical specifications	TC1000	TC1500
Capacity:		
1 st cable layer	1000 kg	1500 kg
Last cable layer	614 kg	927 kg
Crankforce 1 st cable layer	11 daN	12 daN
Hoisting length by one rotation of the crank, 1 st layer	20 mm	14 mm
Cable capacity	33 m	21 m
Diameter cable (EN 12383-4)	8 mm	10 mm
Min. breaking load cable	34 kN	51 kN
Own weight	27 kg	27,5 kg