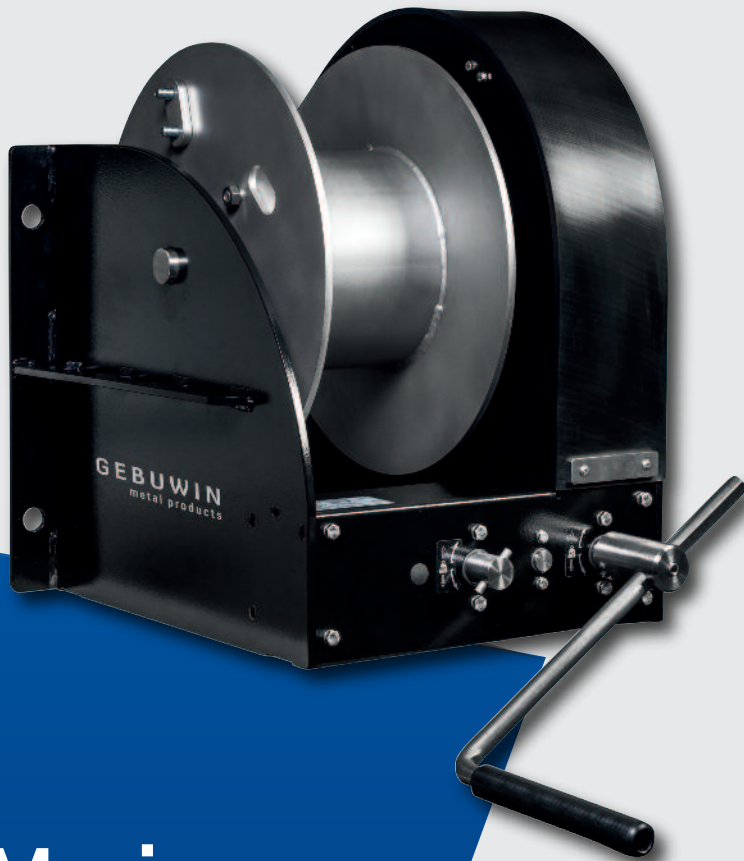
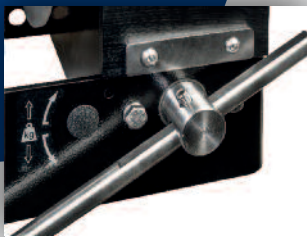



WW1500-3000-5000 D/MR



Marine worm gear winch



Hand operated worm gear winch:

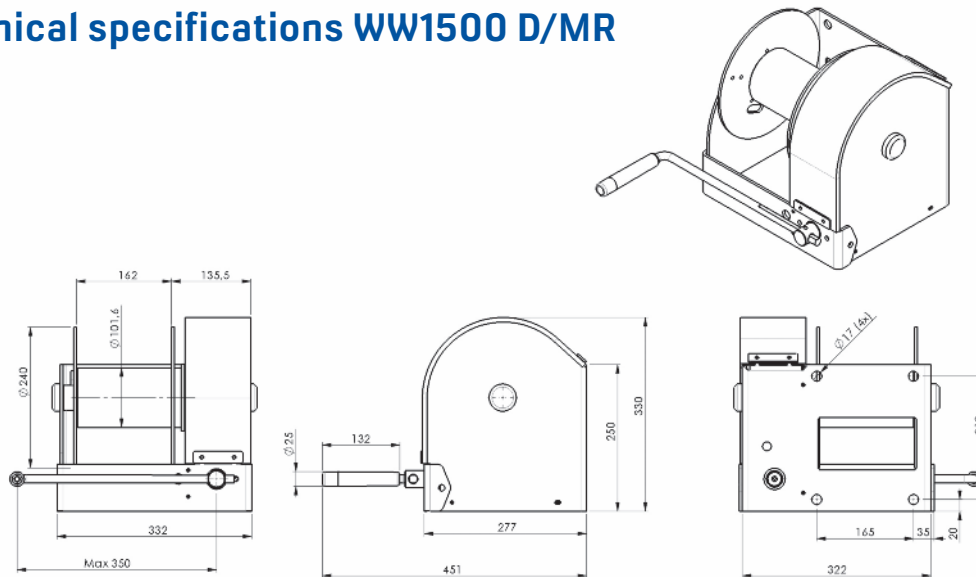
- robust and safe hoisting winch with two speeds for WW3000-5000
- in compliance with EN13157, DIN 15020 and EX types ATEX 114 (94/9/EG)
- static safety factor 4
- square worm-wormwheel transmission and maintenance free bearings
- cable outlet upwards, downwards or at rear
- adjustable crank, with ergonomic grip
- easy to grease worm-wormwheel transmission
- load pressure brake with silent double ratchet system
- transmission is entirely enclosed and protected against environmental influence with protection classification IP54
- cable drum, crank and all extruding shafts are made of Stainless Steel SAE grade 316
- all fasteners are made of Stainless Steel A4
- winch frame is made of steel, surfaces are brushed and edges are rounded
- paint thickness is 240 Micron in 3 layers (in compliance with DIN/ISO 12944, C5M)
- as option:
 - grooved drum
 - multiple compartment cable drum
 - suitable for winch power tool AM5000
 - ATEX certified  II 3 GD T4, suitable for zone 2 and 22

GEBUWIN
metal products

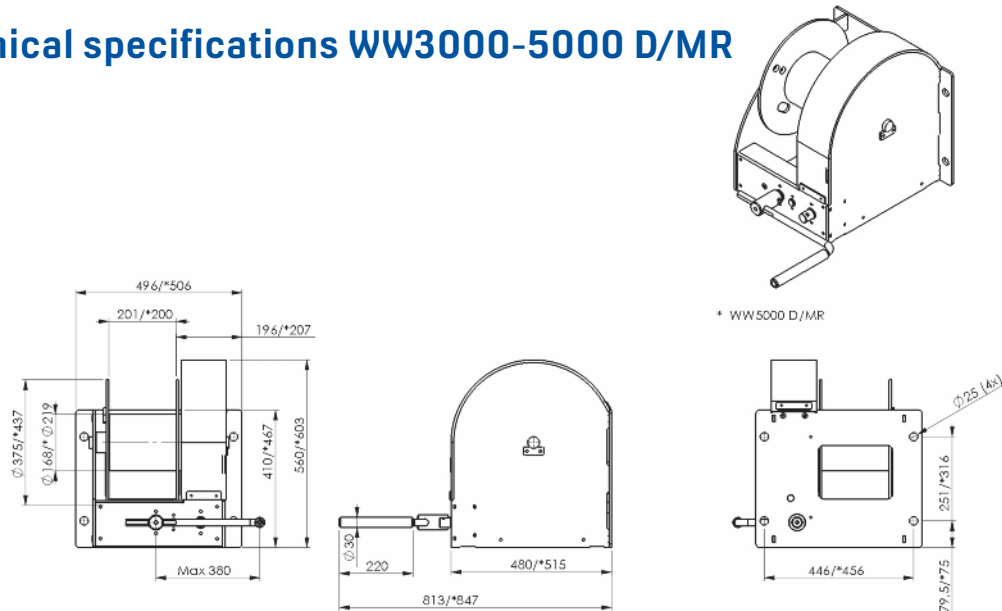


Industrieweg 6 7102 DZ Winterswijk The Netherlands
T +31 (0)543 532600 F +31 (0)543 532601
info@gebuwin.com www.gebuwin.com

Technical specifications WW1500 D/MR



Technical specifications WW3000-5000 D/MR



Type	Mounting	Material	Remarks
WW1500 D/MR	Wall, 4x M16 class 8.8	Painted/ stainless steel	RAL 9005 (black)
WW3000 D/MR	Wall, 4x M20 class 8.8	Painted/ stainless steel	RAL 9005 (black)
WW5000 D/MR	Wall, 4x M20 class 8.8	Painted/ stainless steel	RAL 9005 (black)

Technical specifications	WW1500	WW3000	WW5000
Capacity:			
1 st cable layer	1500 kg	3000 kg	5000 kg
Last cable layer	846 kg	1667 kg	3276 kg
Crankforce 1 st cable layer	14 daN	31 (14) daN	73 (14) daN
Hoisting length by one rotation of the crank, 1 st layer	9 mm	11 (5) mm	13 (3) mm
Max. cable storage per compartment	41 m	68 m	43 m
Diameter cable (EN 12384-4)	10 mm	14 mm	18 mm
Min. breaking force of cable	51 kN	102 kN	168 kN
Own weight	30 kg	104 kg	135 kg