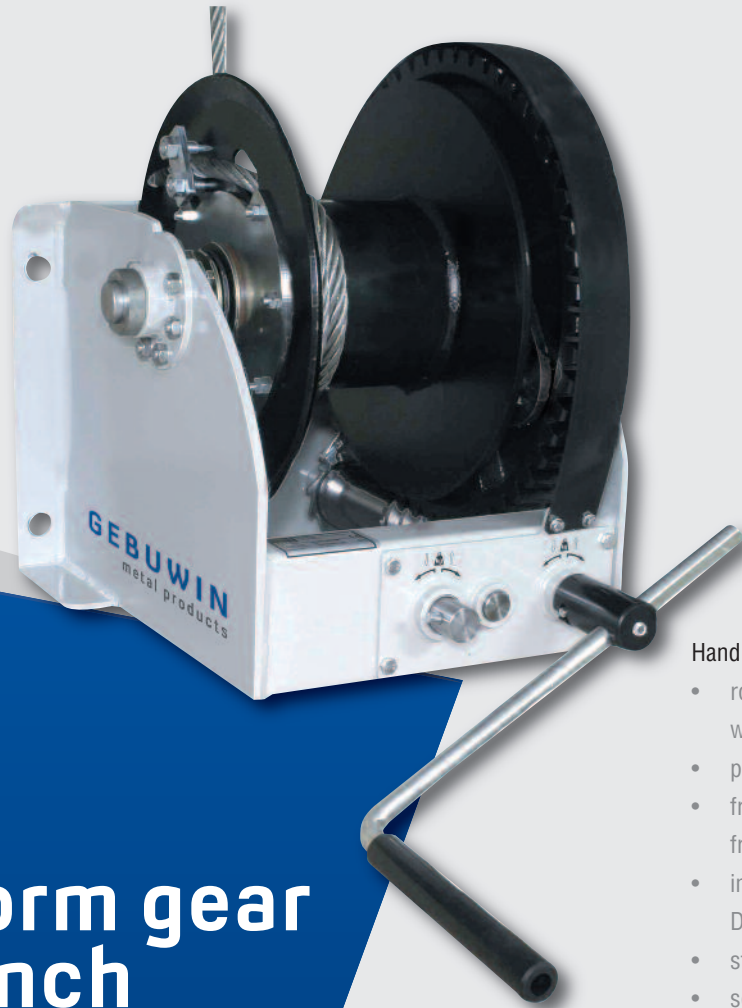


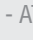
WW2000-3000-4000-5000 ../D/FSB



Worm gear winch



Hand operated worm gear winch:

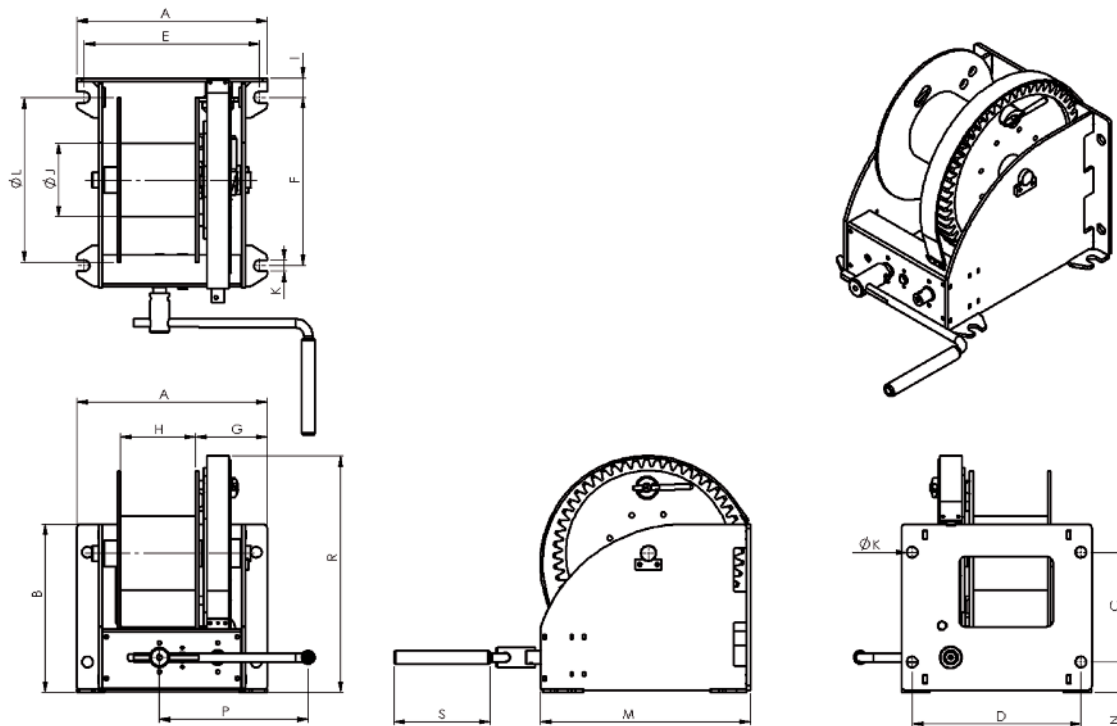
- robust and safe hoisting or pulling winch with two speeds
- pulling capacity is approx. 2.5x hoisting capacity
- free spooling cable drum with an adjustable friction brake for controlled cable unwinding
- in compliance with EN13157, DIN 15020 and EX types ATEX 114 (94/9/EG)
- static safety factor 4
- square worm-wormwheel transmission and maintenance free bearings
- cable outlet upwards, downwards or at rear
- adjustable crank, with ergonomic grip
- easy to grease worm-wormwheel transmission
- load pressure brake with silent double ratchet system
- paint thickness is 60 - 80 Micron in 1 layer (in compliance with DIN/ISO 12944, C1M)
- as option:
 - zinc-plated finish (6 - 8 Micron)
 - ATEX certified  II 3 GD T4, suitable for zone 2 and 22
 - grooved drum
 - multiple compartment cable drum
 - suitable for winch power tool AM5000

GEBUWIN
metal products



Industrieweg 6 7102 DZ Winterswijk The Netherlands
T +31 (0)543 532600 F +31 (0)543 532601
info@gebuwin.com www.gebuwin.com

Technical specifications WW2000-3000-4000-5000 .. / D / FSB



Type	Mounting	Material finish	Remarks
WW2000 GR / D / FSB	Wall / Floor, 4x M20 class 8.8	Painted finish	RAL 7035 (grey)
WW2000 EV / D / FSB	Wall / Floor, 4x M20 class 8.8	Zinc-plated finish	
WW3000 GR / D / FSB	Wall / Floor, 4x M20 class 8.8	Painted finish	RAL 7035 (grey)
WW3000 EV / D / FSB	Wall / Floor, 4x M20 class 8.8	Zinc-plated finish	
WW4000 GR / D / FSB	Wall / Floor, 4x M20 class 8.8	Painted finish	RAL 7035 (grey)
WW4000 EV / D / FSB	Wall / Floor, 4x M20 class 8.8	Zinc-plated finish	
WW5000 GR / D / FSB	Wall / Floor, 4x M20 class 8.8	Painted finish	RAL 7035 (grey)
WW5000 EV / D / FSB	Wall / Floor, 4x M20 class 8.8	Zinc-plated finish	

Dimensions (mm)	A	B	C	D	E	F	G	H	I	J	K	L	M	N	P	R	S
WW2000	432	310	196	382	398	279	166	147	42	133	25	312	372	62	380	437	220
WW3000	458	385	251	408	423	385	164	172	44	168	25	375	480	70	380	541	220
WW4000	458	385	251	408	423	385	164	172	44	168	25	375	480	70	380	541	220
WW5000	458	472	316	408	423	420	171	168	44	219	25	437	515	80	380	625	220

Technical specifications	WW2000	WW3000	WW4000	WW5000
Capacity:				
1 st cable layer	2000 kg	3000 kg	4000 kg	5000 kg
Last cable layer	1038 kg	1667 kg	2282 kg	3276 kg
Crankforce 1 st cable layer	24 (11) daN	31 (14) daN	30 (13) daN	73 (14) daN
Hoisting length by one rotation of crank , 1 st layer	12 (5) mm	11 (5) mm	11 (2) mm	13 (3) mm
Max. friction on brake	340 Nm	340 Nm	340 Nm	340 Nm
Max. cable storage	59 m	57 m	43 m	33 m
Diameter cable (EN 12383-4)	11 mm	14 mm	16 mm	18 mm
Min. breaking force of cable	63 kN	102 kN	133 kN	168 kN
Own weight	66 kg	85 kg	87 kg	125 kg